



**UMC**

**UNIVERSAL MOTION COMPONENTS**

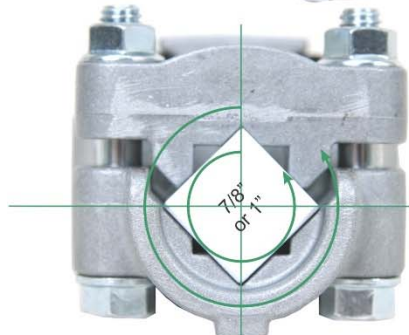
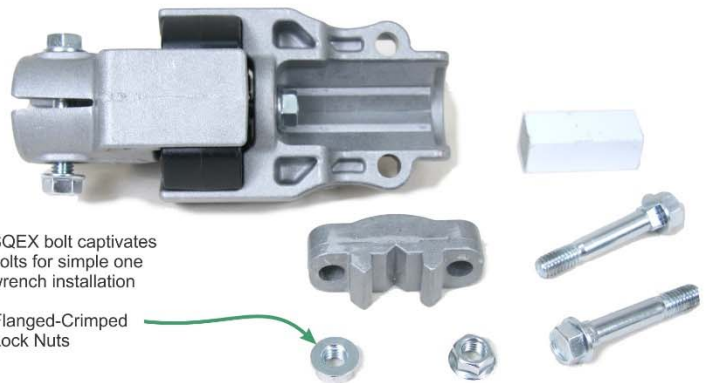
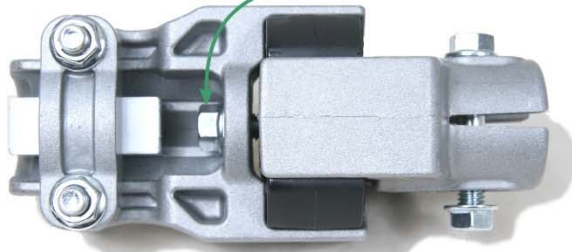
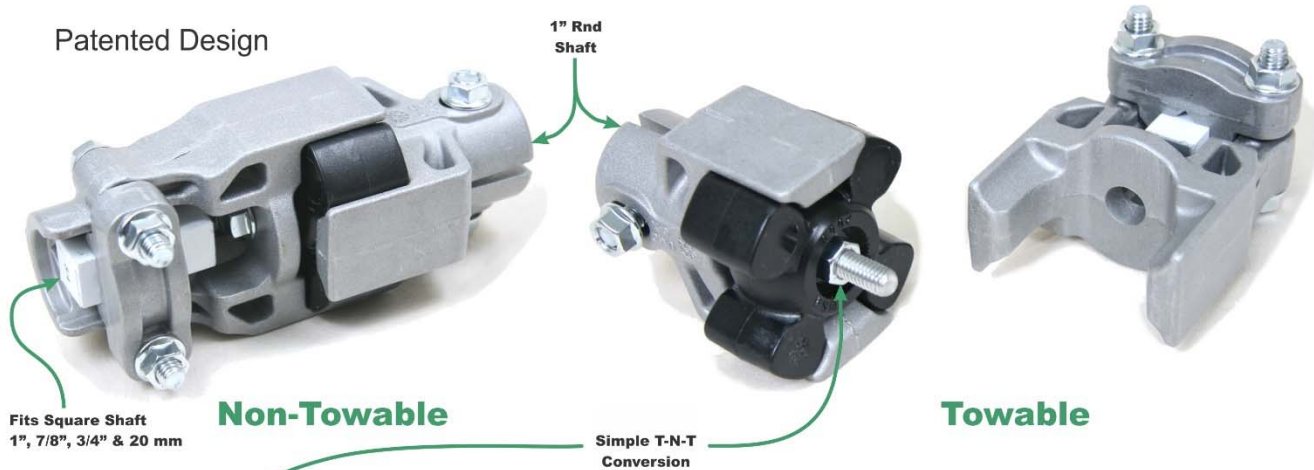
**Listen. Innovate. Adapt.**

# UMC C-X Coupler (Universal Multi-Shaft Coupler)

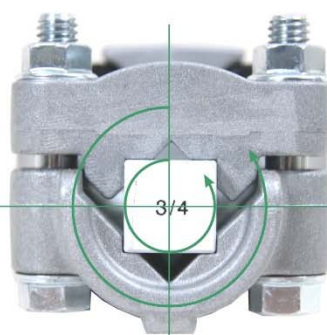
- Units come pre-assembled
- Saves time in the field
- Meets and exceeds the existing UMC coupler performance
- Universal design - fits all square shaft sizes - standard and metric

- UV stabilized Urethane puck
- Easily converts from Non-Towable to Towable
- Centering rod for maintaining alignment at peak torque
- SQUEX Bolts (Square Neck - Hex Head) for easy one wrench installation

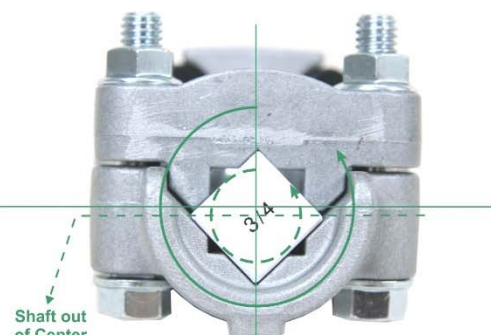
Patented Design



**Correct Installation for 7/8", 1" or 20 mm Shaft**  
The correct shaft position for 7/8", 1" or 20 mm shaft is positioned diagonally in the coupler clamp. Tighten both bolts evenly to ensure even hold.



**Correct Installation for 3/4" Shaft**  
The Correct Shaft position for 3/4" shaft is positioned horizontally in the coupler clamp. Tighten both bolts evenly to ensure even hold.



**Alternate Installation for 3/4" Shaft**  
It is not recommended to install the 3/4" shaft in this position. This will cause the shaft to rotate out of center.