

Universal Motion Components

Quality Irrigation Products



ISO 9001:2015 Registered QMS

UMC is a ISO 9001:2015 Certified Company

www.umcproducts.com

2920 Airway Ave, Costa Mesa, Ca. 92626
phone: 714.437.9600 fax: 714.437.9700

Electric Motor



C-Face Center Drive Motor

Designed for use with The UMC CD-1 center drive gearbox

The UMC C-Face Center Drive Motor is a replacement motor for older systems equipped with vertical worm gear center drives.

Part Number	Description
06168-131E	1.5HP PEM/IE3 C-Face Motor

Features and Benefits

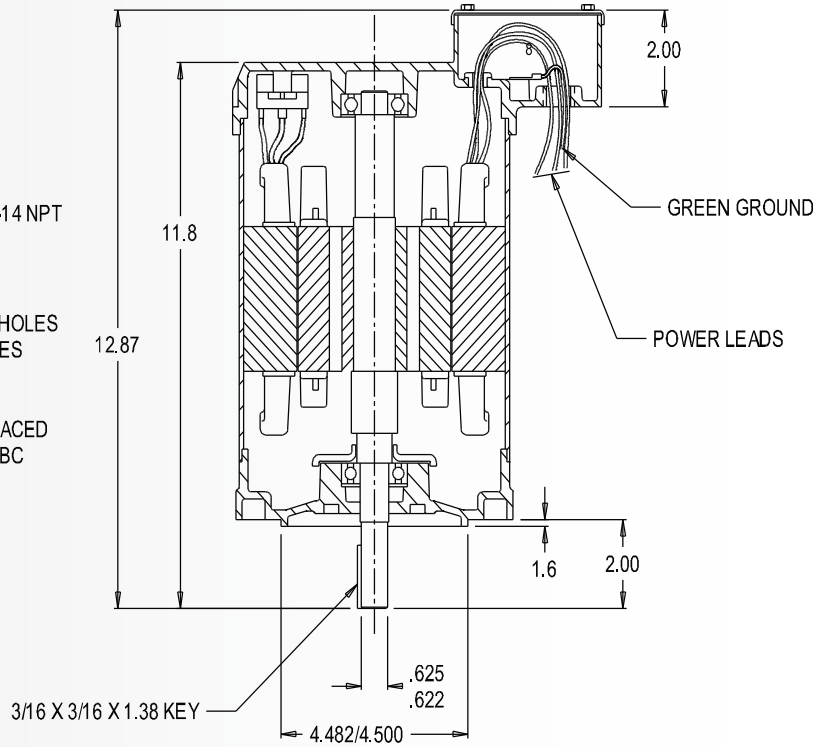
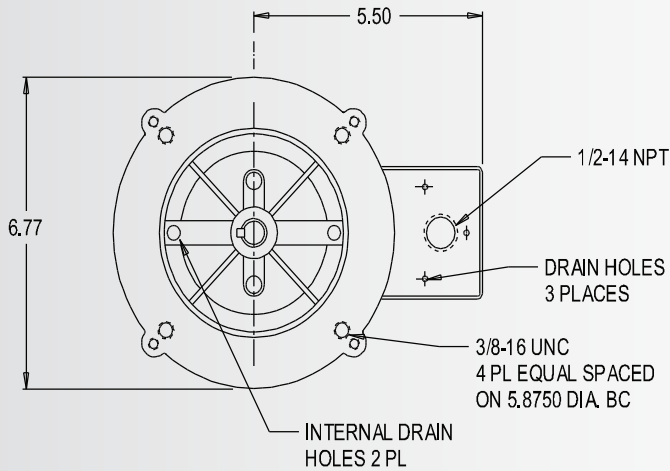
The UMC C-Face Center Drive Motor features 56C frame interface and a keyed shaft that allows for mounting to a vertical worm gear center drive (CD-1).

- ▶ 1.5HP 3-phase PEM / IE3 motor
- ▶ 56C frame interface
- ▶ Keyed rotor shaft
- ▶ Motor weep holes prevent moisture accumulation inside the stator
- ▶ Aluminum finned stator for superior heat dissipation
- ▶ Magnet wire to motor lead connections covered with Teflon tubing and encapsulated with P.D. caps for superior moisture protection
- ▶ Class H wire and Class F insulation
- ▶ Thermally protected motor with automatic reset located in the junction box

sales@umcproducts.com

Universal Motion Components

Dimensional Drawing C-Face Electric Motors



Part Number	Motor HP	Service Factor	Volts AC	Frequency	Output RPM	Full Load AMP
06168-131E	1.50 PEM / IE3	1.0	460 / 380	60 / 50 Hz	1745 / 1450	2.2A / 2.5A

sales@umcproducts.com



Universal Motion Components, Co. Inc.
 2920 Airway Ave, Costa Mesa, Ca. 92626
 Phone - 714-437-9600 Fax - 714-437-9700
 Web - <http://www.umcproducts.com>
 E-mail - sales@umcproducts.com