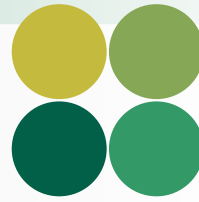


Universal Motion Components

Quality Irrigation Products



UMC



UMC is a ISO 9001:2015 Certified Company

www.umcproducts.com

2920 Airway Ave, Costa Mesa, Ca. 92626
phone: 714.437.9600 fax: 714.437.9700

Driveline Couplers



CX™ Coupler

Universal driveline coupler designed to save installation time and deliver higher performance

The UMC CX™ Coupler is a universal shock-attenuating drive connection between the center drive gear motor and final drive gearbox. The CX™ design reduces installation time and it is a must-have service part because this one coupler fits all brands of center pivots and lateral / linear irrigation systems.

Part Number	Description
01355-133A	1" Round x 3/4", 7/8" or 1" Square

Features and Benefits

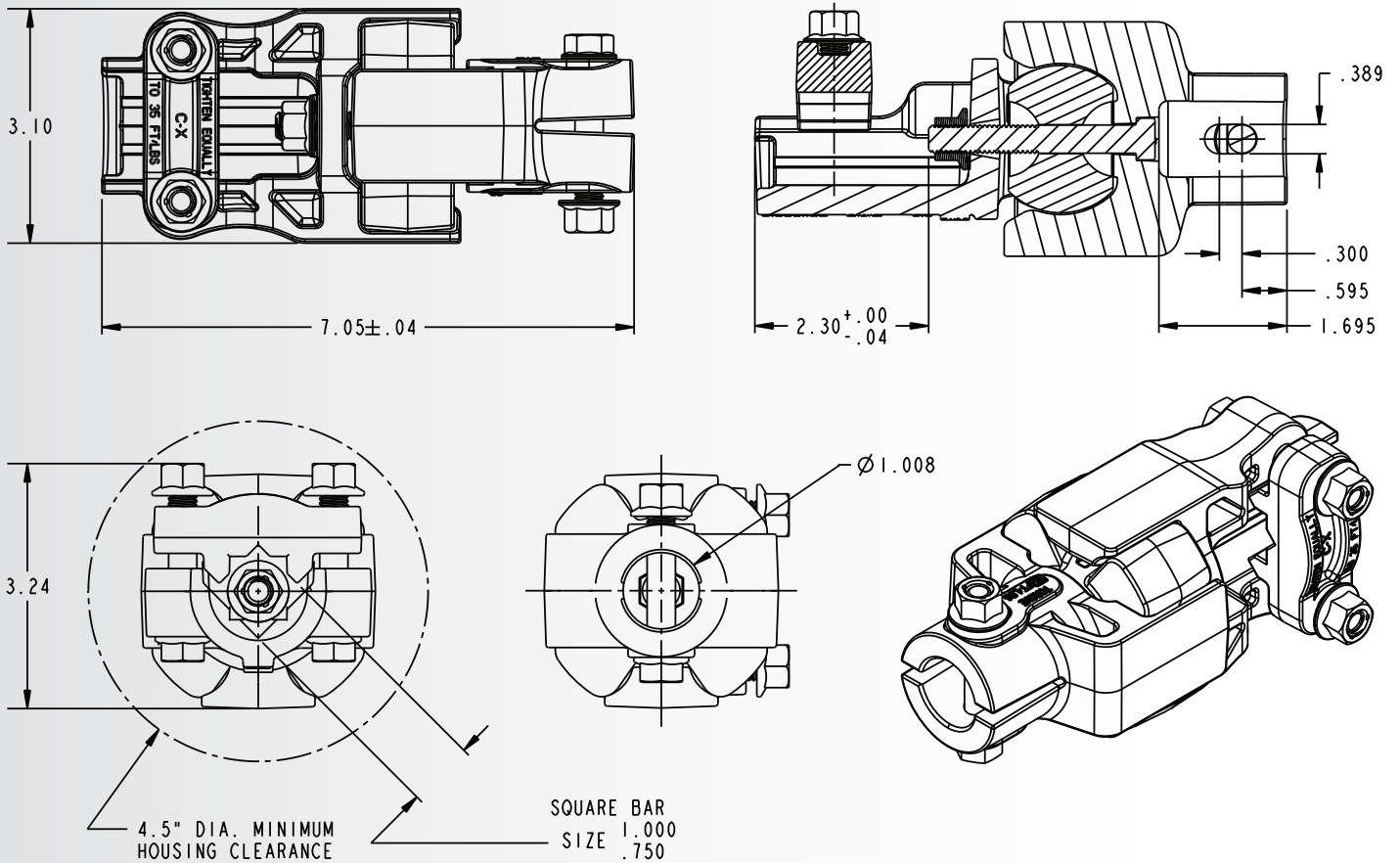
UMC's patented CX™ coupler fits a 3/4", 7/8", and 1" drive shaft as well as metric sizes. It comes pre-assembled and is purpose built to save installation time and deliver higher performance.

- ▶ Designed to fit the most common standard and metric drive shaft sizes
- ▶ Pre-assembled to save installation time
- ▶ High strength drive shaft saddle allows for installation with an impact without breaking the saddle
- ▶ Patented drive shaft orientation enables centering of multiple shaft sizes allowing for concentric rotation, extending the life of the puck insert
- ▶ UV stabilized urethane puck dampens center drive start up torque, extending final drive gearbox life
- ▶ Alignment rod holds insert in place and maintains alignment under extreme loads
- ▶ UMC SQUX-Bolts (Square Neck - Hex Head) for easy one wrench installation

sales@umcproducts.com

Universal Motion Components

Dimensional Drawing CX Pre-Assembled Driveline Coupler



sales@umcproducts.com



CN www.umcproducts.com



Universal Motion Components, Co. Inc.
 2920 Airway Ave, Costa Mesa, Ca. 92626
 Phone - 714-437-9600 Fax - 714-437-9700
 Web - <http://www.umcproducts.com>
 E-mail - sales@umcproducts.com