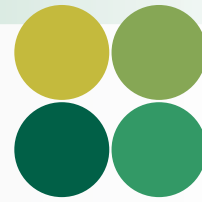


Universal Motion Components

Quality Irrigation Products



UMC is a ISO 9001:2015
Certified Company



UMC

www.umcproducts.com

2920 Airway Ave, Costa Mesa, Ca. 92626
phone: 714.437.9600 fax: 714.437.9700

Final Drive Gearbox



740-U™ Gearbox

The industry standard 50:1 gearbox

The UMC 740-U™ gearbox is designed for use on center pivots and lateral / linear irrigation systems. It has been the industry standard 50:1 gearbox used on many center pivot and lateral / linear irrigation systems globally for decades. It is capable of handling most field conditions and applications and its larger input bearings enable it to handle more load than the 725-U™ and Moderate Duty™ gearboxes and in turn support heavier spans and larger wheels.

Part Number	Gear Ratio
10141-105A	50:1

Features and Benefits

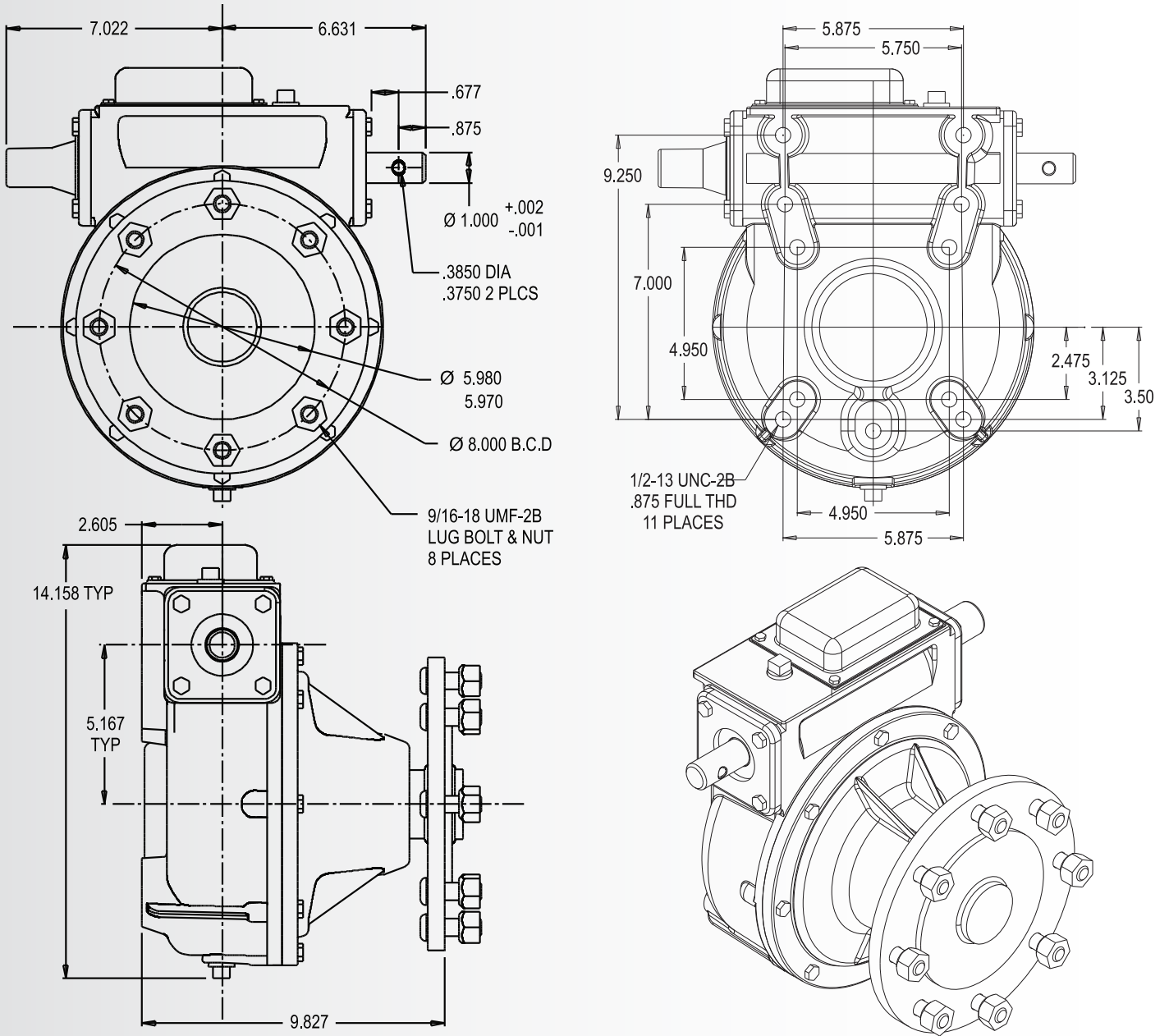
The UMC 740-U™ gearbox features a 50:1 gear ratio, a 2.25" diameter output shaft, large input bearings, a steel worm gear, a cast iron bull gear and cartridge input and output seals that eliminate shaft grooving and reduce oil leaks.

- ▶ 2.25" diameter steel output shaft
- ▶ 50:1 gear ratio
- ▶ Cartridge input and output seals
- ▶ Large input bearings
- ▶ Full cycle external expansion chamber with stainless steel cover
- ▶ 11-Bolt mounting pattern
- ▶ External seal protectors for input and output seals
- ▶ Top oil fill plug
- ▶ Filled with extreme pressure gear oil
- ▶ Dual ended input shaft with a hub cap for the unused end
- ▶ Positive wheel register

sales@umcproducts.com

Universal Motion Components

Dimensional Drawing 740-U Final Drive Gearbox



Universal mounting bolt pattern fits most Lindsay, Reinke, and Lockwood systems.

sales@umcproducts.com



CN www.umcproducts.com



Universal Motion Components, Co. Inc.
 2920 Airway Ave, Costa Mesa, Ca. 92626
 Phone - 714-437-9600 Fax - 714-437-9700
 Web - <http://www.umcproducts.com>
 E-mail - sales@umcproducts.com