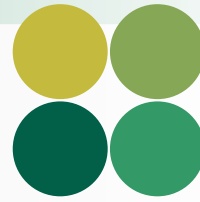


Universal Motion Components

Quality Irrigation Products



UMC is a ISO 9001:2015
Certified Company



UMC

www.umcproducts.com

2920 Airway Ave, Costa Mesa, Ca. 92626
phone: 714.437.9600 fax: 714.437.9700

Towable Final Drive Gearbox



TNT-2-U™ Gearbox

Designed for towable center pivots and lateral / linear irrigation systems

The patented UMC TNT-2-U™ gearbox is designed for use on towable center pivots and lateral / linear irrigation systems. The gearbox design allows the worm gear to disengage from the bull gear so the output shaft can rotate freely, enabling users to move irrigation systems from one field to another.

Gear Ratio	Part Number
50:1	10140-110A
50:1 (BRONZE)	10140-110B

Features and Benefits

The patented UMC TNT-2-U™ gearbox features a 50:1 gear ratio, a 2.25" diameter output shaft and a disengage-able worm gear for towing.

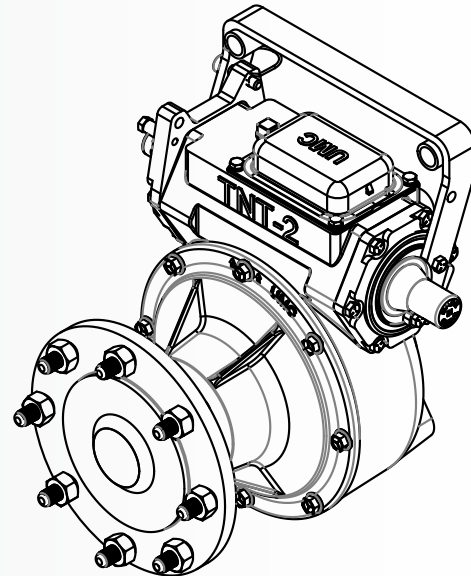
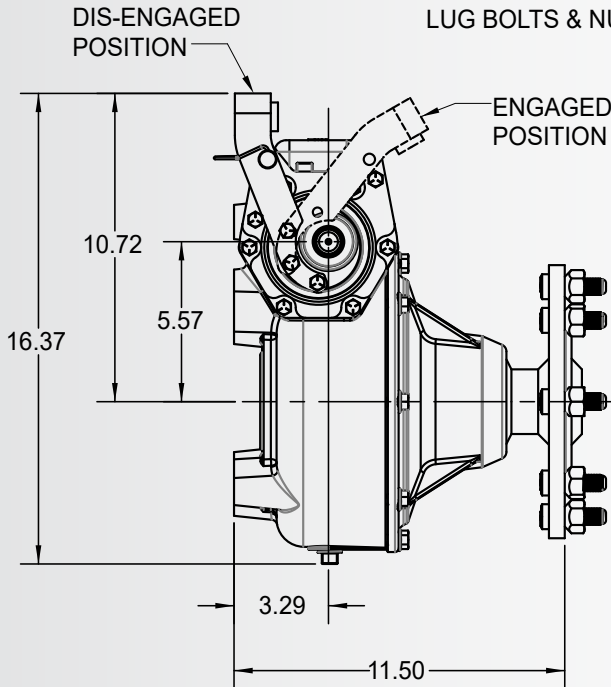
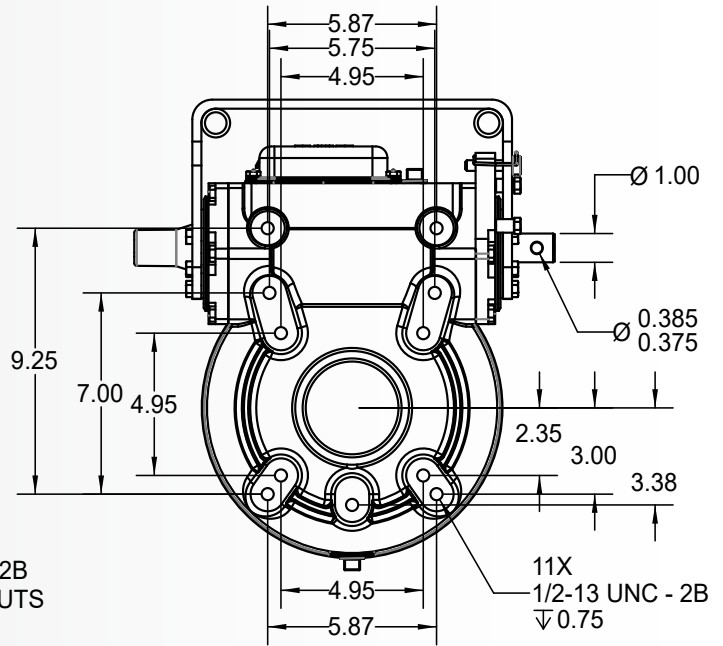
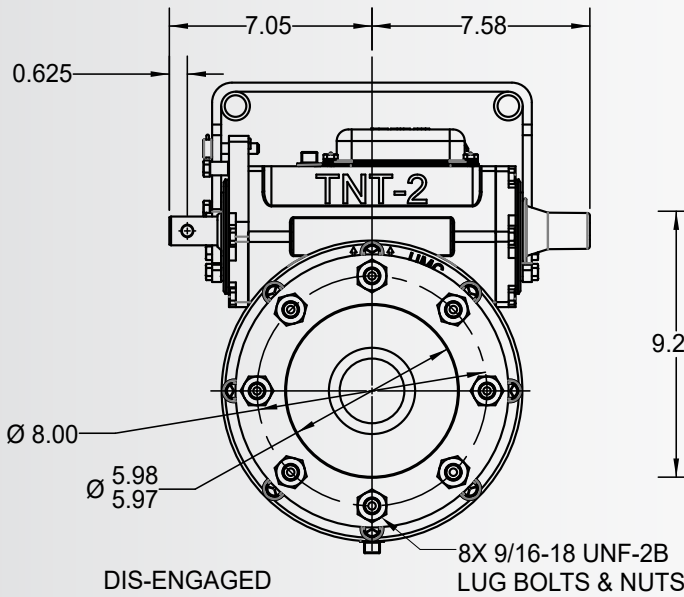
- ▶ 2.25" diameter steel output shaft
- ▶ 50:1 gear ratio
- ▶ Dual input seals and a triple lip output seal
- ▶ Disengage-able worm gear for towing
- ▶ Full cycle external expansion chamber with stainless steel cover
- ▶ 11-Bolt mounting pattern
- ▶ External seal protectors for input and output seals
- ▶ Top oil fill plug
- ▶ Filled with extreme pressure gear oil
- ▶ Dual ended input shaft with a hub cap for the unused end
- ▶ Extra long carriage bolts allow use with reinforced rims
- ▶ Positive wheel register
- ▶ Bronze gear optional

sales@umcproducts.com

Universal Motion Components

Dimensional Drawing

725-TNT-2-U - Final Drive Gearbox



sales@umcproducts.com



Universal Motion Components, Co. Inc.
 2920 Airway Ave, Costa Mesa, Ca. 92626
 Phone - 714-437-9600 Fax - 714-437-9700
 Web - <http://www.umcproducts.com>
 E-mail - sales@umcproducts.com