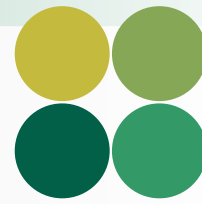


Universal Motion Components

Quality Irrigation Products



UMC is a ISO 9001:2015
Certified Company



UMC

www.umcproducts.com

2920 Airway Ave, Costa Mesa, Ca. 92626
phone: 714.437.9600 fax: 714.437.9700

Towable Products



BT4-B™ Bolt-on Towable Hub

Designed to convert standard non-tow gearboxes into towable gearboxes

The UMC BT4-B™ Bolt-on Tow Hub is designed to convert standard non-tow gearboxes into towable gearboxes. It fits all UMC gearboxes and works with all gear ratios. It requires a pin and bracket assembly (sold separately) to lock the tow hub.

Part Number	Description
04301-114A	BT4-B Towable Hub

Features and Benefits

The UMC BT4-B™ bolt-on tow hub comes filled with grease and features a 2.00" shaft with a cast iron hub and extra long carriage bolts that allow use with reinforced rims.

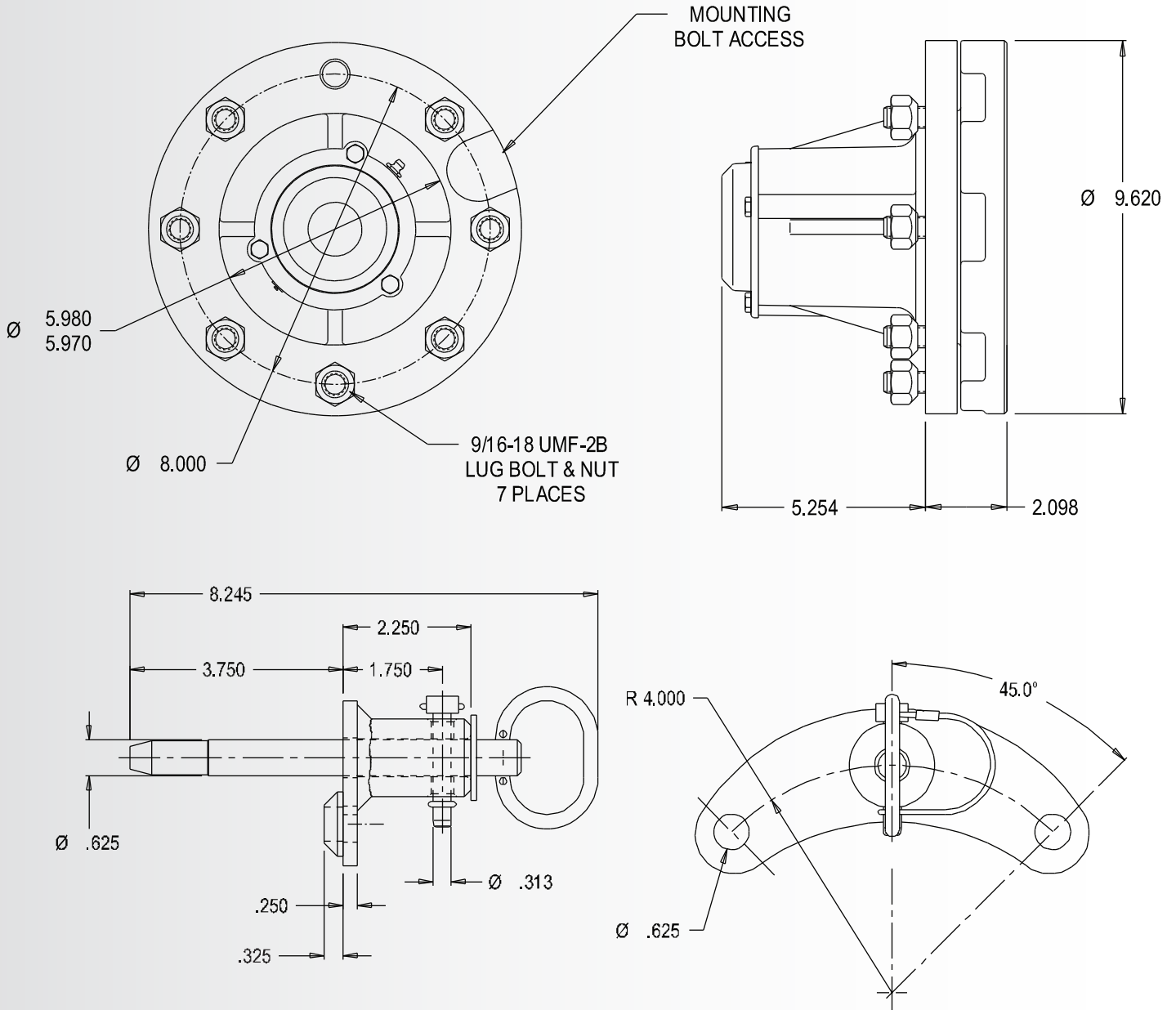
- ▶ Fits all UMC gearboxes
- ▶ Locking pin and bracket available (sold separately)
- ▶ Works with all gear ratios
- ▶ Heavy duty cast steel 2.00" shaft and cast iron hub
- ▶ Grease and pressure relief fittings included
- ▶ Bolt-on hub cap secured with three 1/4-20 bolts and sealed with silicone RTV
- ▶ Tapered roller bearings
- ▶ Extra long carriage bolts allow use with reinforced rims
- ▶ Positive wheel register

sales@umcproducts.com

Universal Motion Components

Dimension Drawing

BT4-B Towable Hub & Pin Bracket Assembly



Pin and Bracket Sold Separately

sales@umcproducts.com



CN www.umcproducts.com



Universal Motion Components, Co. Inc.
2920 Airway Ave, Costa Mesa, Ca. 92626
Phone - 714-437-9600 Fax - 714-437-9700
Web - <http://www.umcproducts.com>
E-mail - sales@umcproducts.com